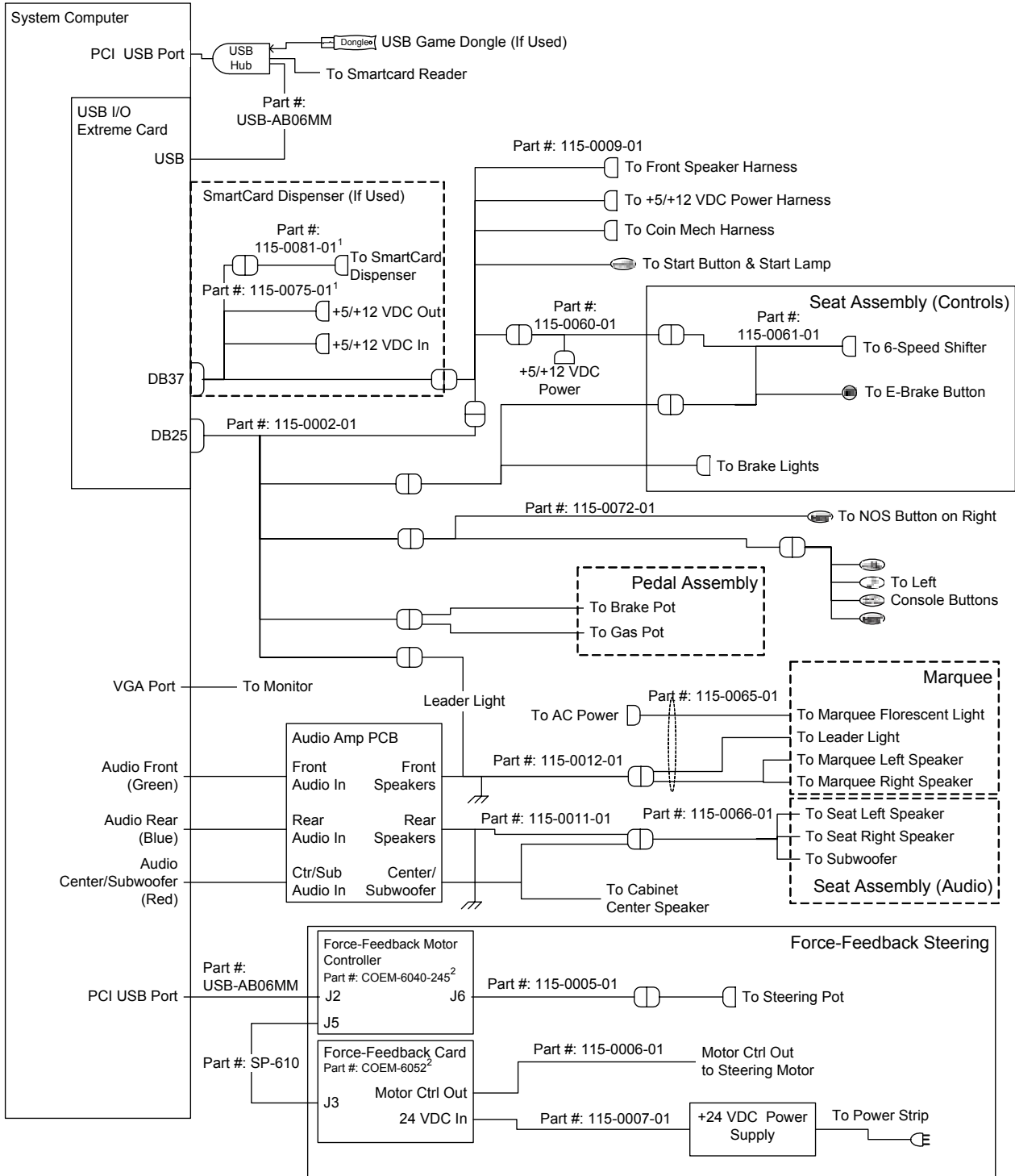


Chapter 10 — Diagrams

Diagrams in this section illustrate the *Need for Speed™ Underground* Cabinet Conversion.

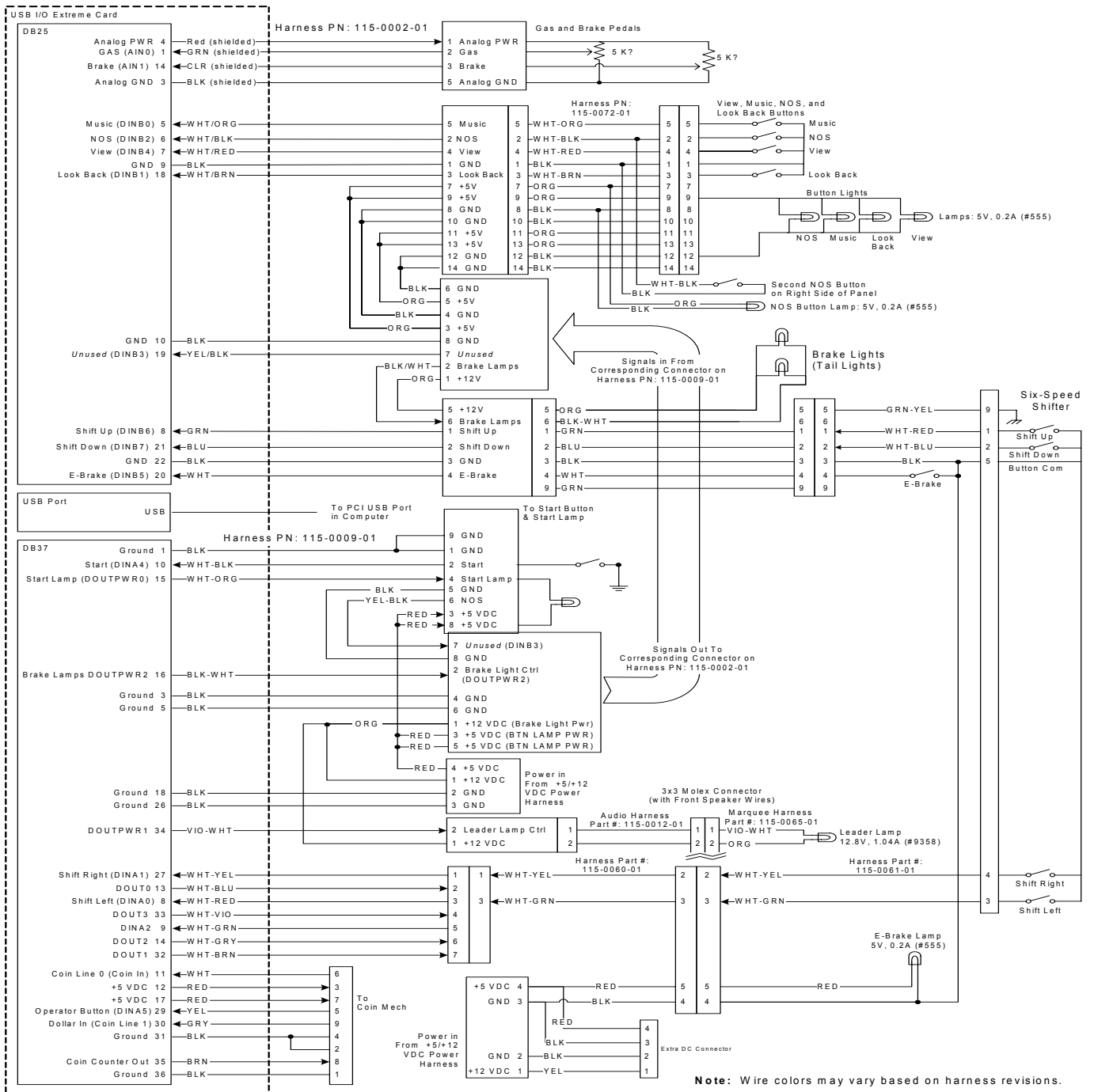


Notes:

¹Part numbers 115-0075-01 and 115-0081-01 can be replaced with 115-0083-01. (Do not use 115-0081-01 with 115-0083-01.)

²Part numbers COEM-6040-245 and COEM-6052 can be replaced with COEM-GCE-H2P5A. (Single PCB replaces both.)

Figure 76. Simplified Wiring Diagram



Note: Wire colors may vary based on harness revisions.

Figure 77. Detailed Wiring Diagram

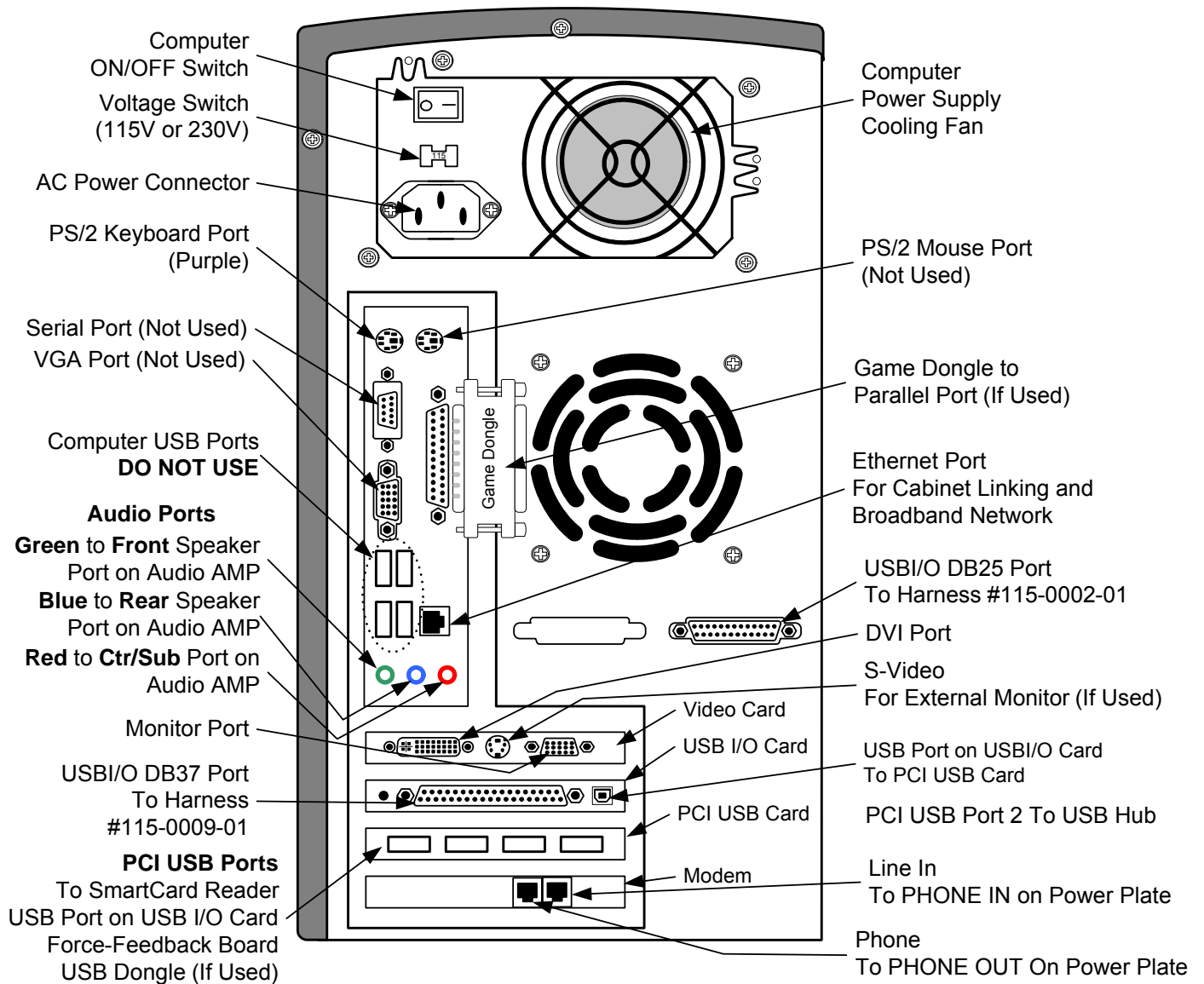
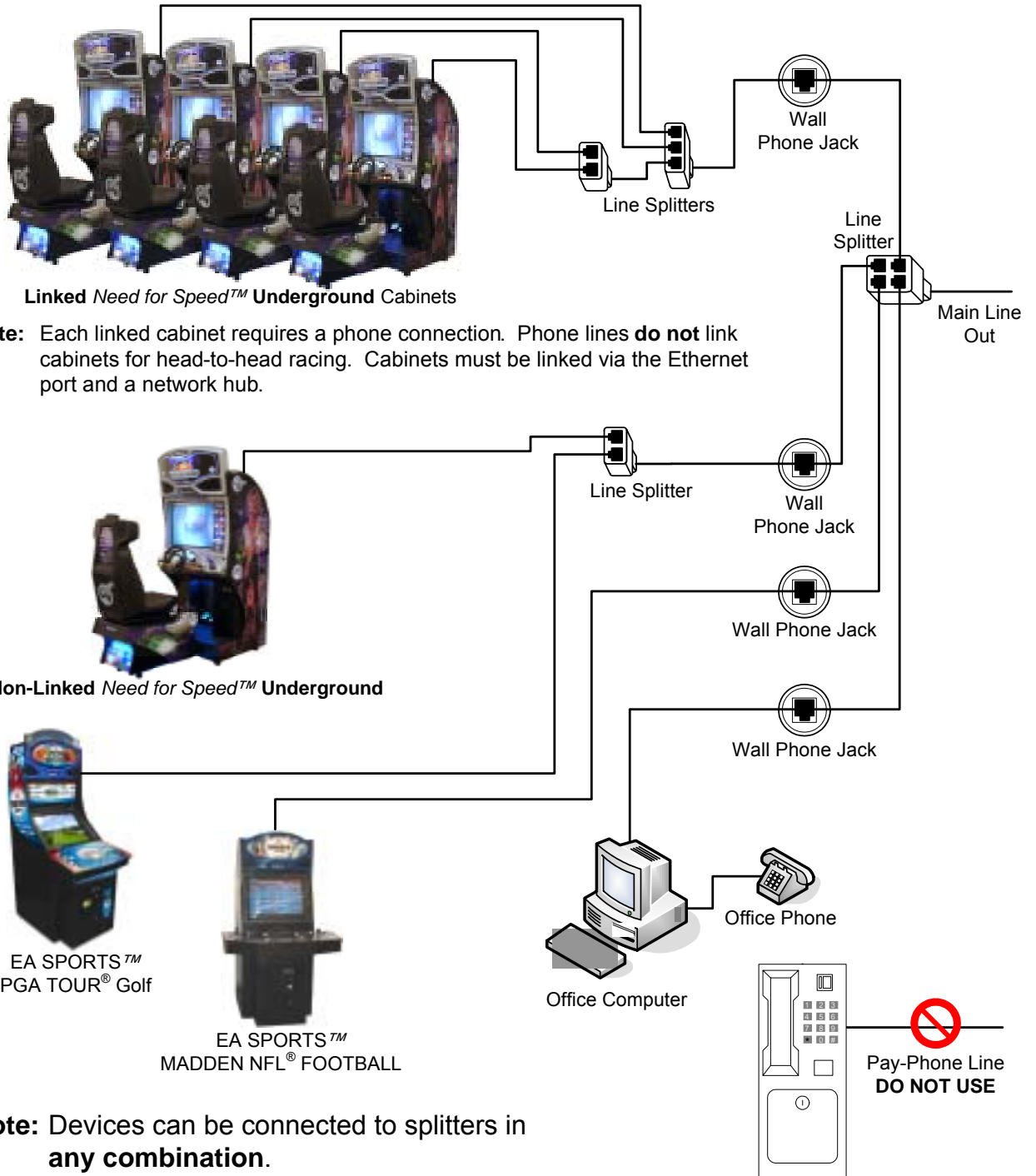


Figure 78. Computer Rear Panel Connections

Typical Dial-Up Network

Important: Only one device at a time can use a standard phone line. Make sure games that share a phone line call in at different times.
Do not connect a phone line to an Ethernet port or your phone system may malfunction.



Note: Devices can be connected to splitters in **any combination.**

© 2006 GLOBAL VR, INC. All Rights Reserved. GLOBAL VR is a registered trademark of Global VR, Inc. All other trademarks are the properties of their respective owners.

040-0113-02

Figure 79. Setting up a Dial-up Game Network